

Motion controller (Low Voltage)

MINI PIR-1715LV/MINI PIR-1715LV-1



Features

Human-body detection

The controller automatically turns on the lights as soon as the movement is detected. It can also help turn off the light after your leave.

Optional Sensor

Integrated with daylight detection sensor.

Daylight detection

Ambient light illumination >100lux, the controller shuts off the auto-detect mode.
Ambient light illumination <40lux, the controller starts the auto-detect mode.

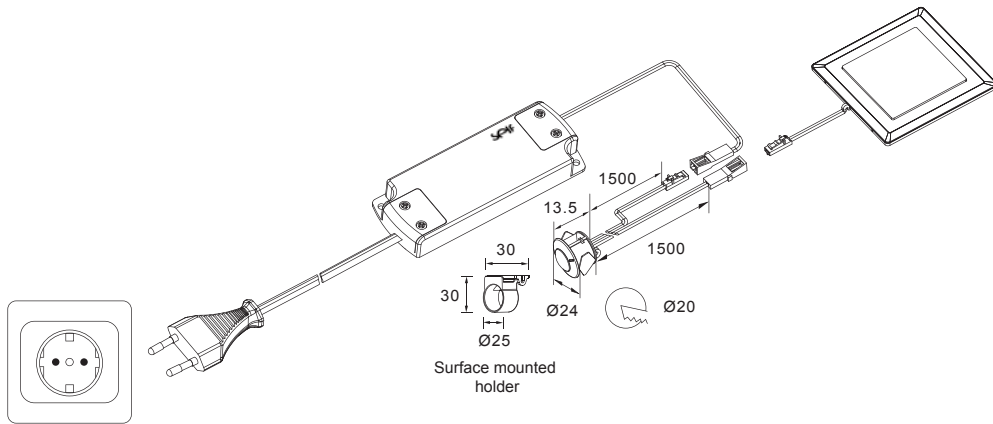
Installation

Recessed and surface mounted.

Tech Specs

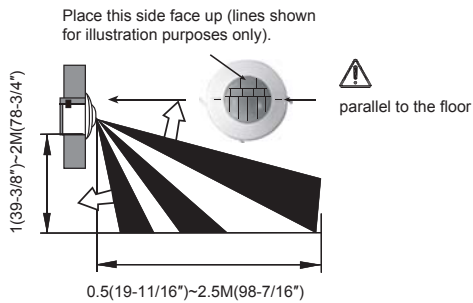
Rated input voltage: 12/24V
Rated output voltage: 12/24V
Rated load: 18/36W
Standby power: <0.2W
Detection range: Max.2.5m(98-7/16")
Detection angle: 80°
Delay Time: 7S 18S 37S 56S 150S 300S
600S 1200S (optional).
Dimensions: $\Phi 24 \times 13.5\text{mm}(15/16" \times 1/2")$

Unit:mm

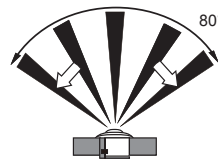


Recessed mounting

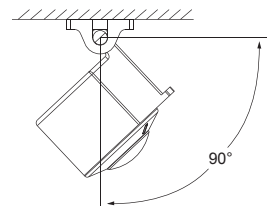
SIDE VIEW



TOP VIEW



Surface mounting



Order information

| Order.No. | Type | Model | Description | Carton quantity(pcs) | Carton dimension(mm) | G.W./CTN (kg) |
|------------------|--------------|-------------------|---|----------------------|----------------------|---------------|
| 1002-917056-0130 | Controller | MINI PIR-1715LV | Motion controller with daylight detection,incl. 1.5m PIR sensor | 100 | 425*325*250 | 5 |
| 1002-917058-0130 | Controller | MINI PIR-1715LV-1 | Motion controller without daylight detection,incl. 1.5m PIR sensor | 100 | 425*325*250 | 5 |
| 1060-925001-0131 | Accessory | SLF8.667.390 | Surface mounted holder | 1000 | 340*265*235 | 4 |
| 1001-610138-0130 | Power supply | SLT15-12VF-2s | Power supply, input: 220-240V/50-60Hz,0.95C, constant 12V/30W, 165x40x30mm, more options please see page 53 | 100 | 280*205*295 | 7.5 |
| 1001-610091-0132 | Power supply | SLT30-24VFG | Power supply, input: 220-240V/50-60Hz,0.95C, constant 24V/60W, 188x45x30mm, more options please see page 53 | 60 | 270*225*220 | 11.2 |